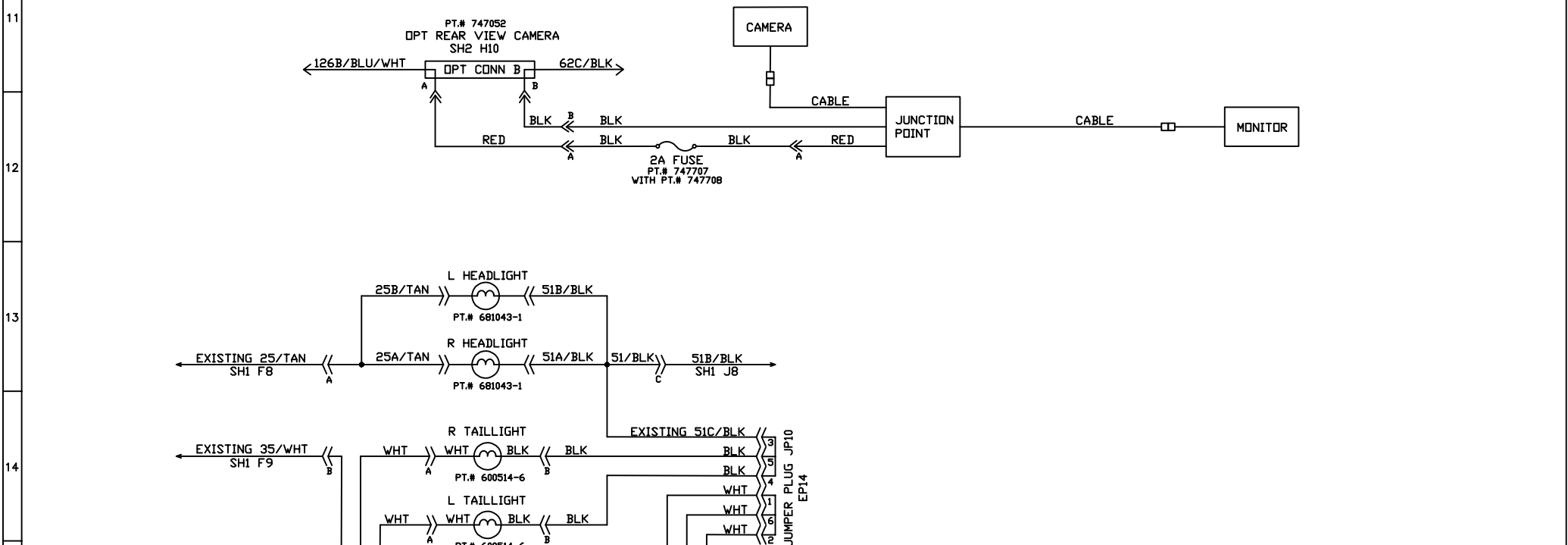
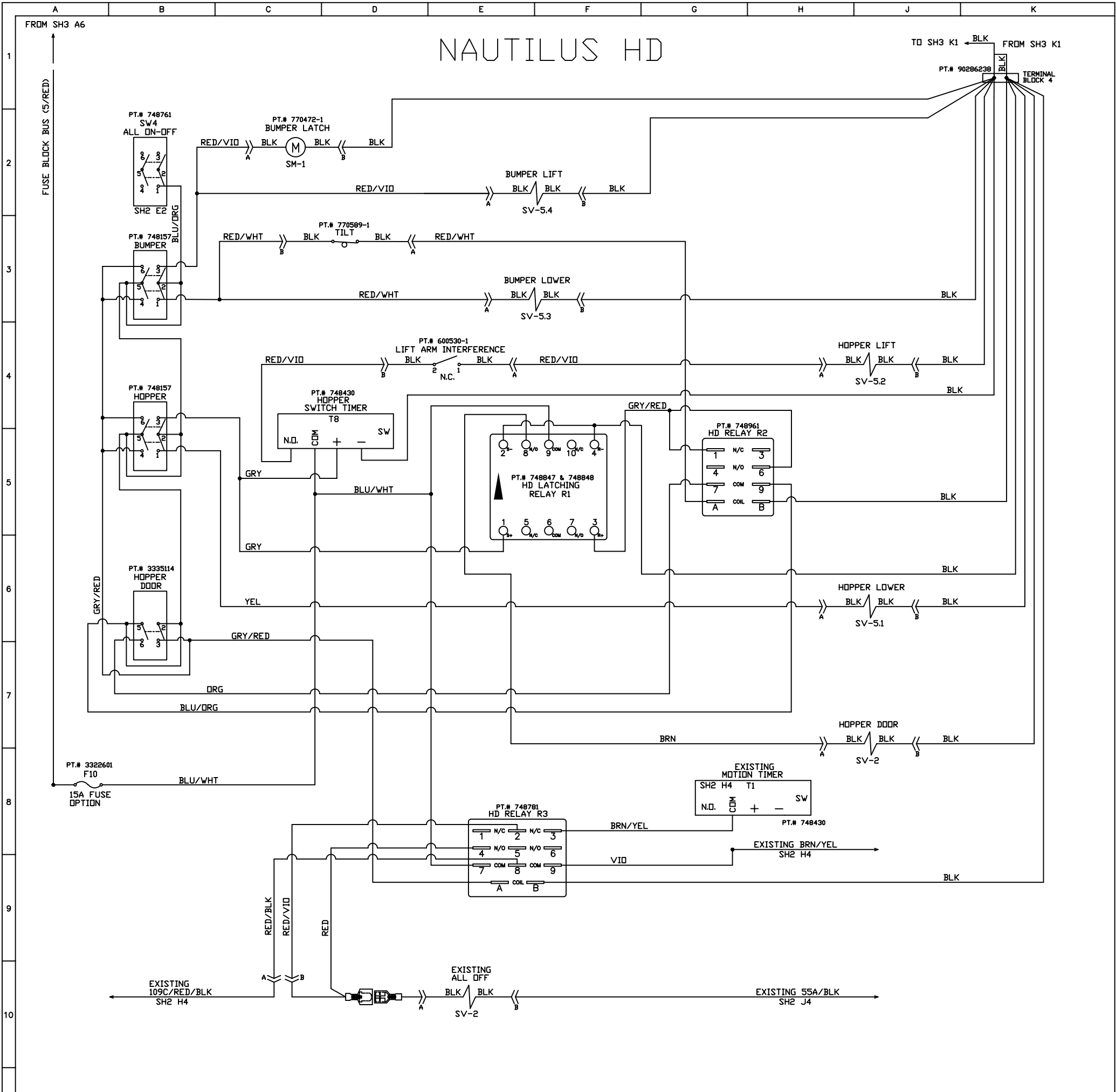


NAUTILUS HD



CONFIDENTIAL

THIS DRAWING AND ALL INFORMATION CONTAINED THEREIN ARE THE EXCLUSIVE PROPERTY OF MINUTEMAN INTERNATIONAL, INC. THIS DRAWING IS NOT TO BE COPIED OR OTHERWISE REPRODUCED WITHOUT EXPRESSED WRITTEN PERMISSION OF MINUTEMAN INTERNATIONAL, INC. IN ADDITION, THIS DRAWING MUST BE RETURNED UPON REQUEST. FURTHER, ALL INFORMATION CONTAINED HEREIN MUST BE MAINTAINED CONFIDENTIAL.

TITLE		NAUTILUS PT. TO PT. DIAGRAM		SCALE		NTS	
MATERIAL		N/A		FINISH		N/A	
TOLERANCES (UNLESS OTHERWISE SPECIFIED)				REMOVE BURRS AND BREAK SHARP EDGES .005/.020			
0-1" ± 1/16		.000 ± .005		SIZE		DRAWN BY MB	
>1-12" ± 1/4"		.00 ± .010		B		CHECKED BY JWP	
<12" ± 1/2"		ANGLES ± 30'				DATE 12/20/13	
REV		E.C.N.		DATE		CHANGE	
BY		CHK		BY		BY	

14N845 U.S. ROUTE 20
 PINGREE GROVE, IL 60140
P.N. 748992
 SHEET 4 OF 5

L	151293	04/09/20	UPDATED MURPHY SWITCH	KHH	KHH
K	150567	02/06/19	ADDED SIDE BROOM MIST OPTION	KHH	KHH
J	150447	10/18/18	ADDED JP7 GND JUMPER PLUG & BRAKE LTS	KHH	KHH
H	MIN-13575	10/02/17	ADD BLUE LIGHTS & REAR VIEW CAMERA	KHH	JWP